

# Micrometer

The origin of Mitutoyo's trustworthy brand of small tool instruments

## Sheet Metal Micrometers SERIES 389, 118

- Measures thickness of sheet metal.
- IP65 water/dust protection (389 series).
- Measuring faces: Carbide
- Profile of measuring faces: Flat-Flat, Spherical-Flat and Spherical-Spherical.
- Equipped with Ratchet Stop for constant measuring force.



### SPECIFICATIONS

Metric					
Order No.	Range	Resolution	Accuracy*	Throat depth	Measuring surfaces
Digimatic (LCD)					
<b>389-251</b>	0 - 25mm	0.001mm	±4µm	150mm	F-F
<b>389-261</b>					S-F
<b>389-271</b>					S-S
<b>389-514</b>					300mm*
<b>389-252</b>					F-F
<b>389-262</b>	25 - 50mm	±4µm	150mm	S-F	
<b>389-272</b>				S-S	

\* Excluding quantizing error

Metric					
Order No.	Range	Graduation	Accuracy	Throat depth	Measuring surfaces
Analog					
<b>118-101</b>	0 - 25mm	0.01mm	±4µm	100mm	F-F
<b>118-102</b>				150mm	S-F
<b>118-114</b>				S-S	
<b>118-103</b>				300mm*	F-F
<b>118-110</b>				150mm	S-S
<b>118-126</b>	25 - 50mm	±4µm	150mm	S-S	

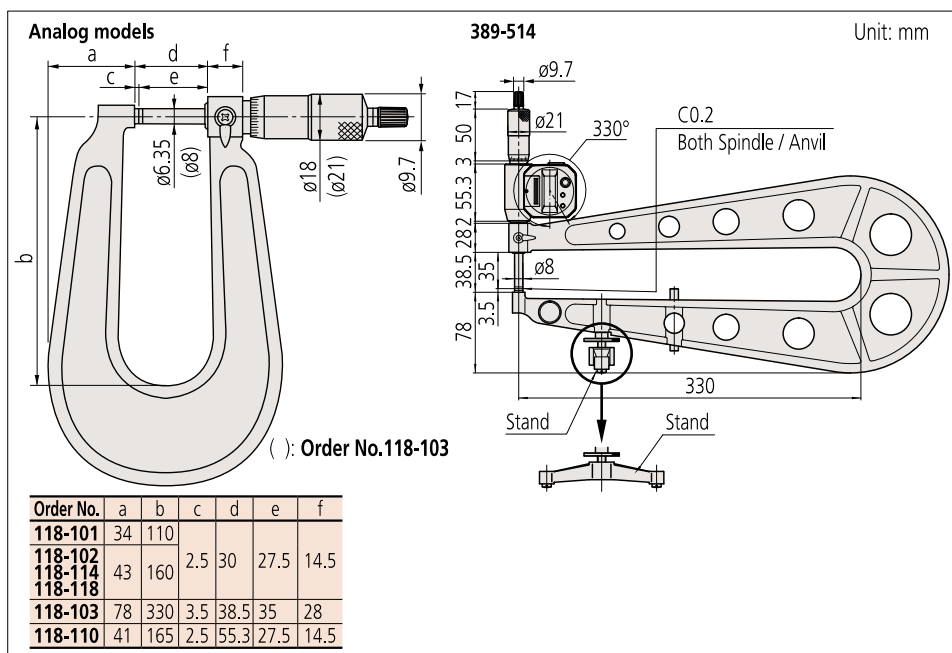
\*1 Models with a 300mm (12") throat are equipped with a stand for convenience of measurement in the horizontal orientation as standard.

Inch/Metric					
Order No.	Range	Resolution	Accuracy*	Throat depth	Measuring surfaces
Digimatic (LCD)					
<b>389-351</b>	0 - 1"	.00005"/0.001mm	±.0002*	6"	F-F
<b>389-361</b>					S-F
<b>389-371</b>					S-S
<b>389-714</b>					12"*1
<b>389-352</b>					F-F
<b>389-362</b>	1" - 2"	±.0002*	6"	S-F	
<b>389-372</b>				S-S	

\* Excluding quantizing error

Inch					
Order No.	Range	Graduation	Accuracy	Throat depth	Measuring surfaces
Analog					
<b>118-129</b>	0 - 1"	.0001"	±.0002*	6"	F-F
<b>118-116</b>					S-F
<b>118-120</b>					S-S
<b>118-107</b>					12"
<b>118-112</b>					6"

### DIMENSIONS



These marks indicate that a product has successfully passed IP65-level testing, which is carried out by the independent German certification organization TÜV Rheinland.



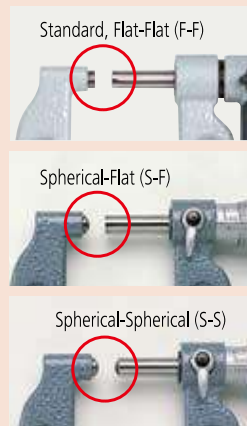
(Refer to page IX for details.)

### IP Codes (389 series)

- Level 6: Dust-proof.  
No ingress of dust allowed.
- Level 5: Protected against water jets.  
Water projected in jets against the enclosure from any direction shall have no harmful effects.

### Technical Data

Flatness: 0.6µm/.000024" for models with 150mm/6" throat  
1µm/.00004" for models with 300mm/12" throat  
Parallelism: 3µm/.00012"  
Quantizing error (**389 series**): excluding ±1 count

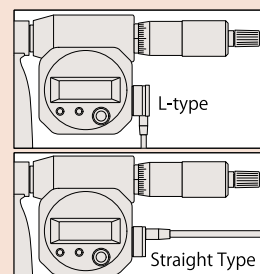


### Battery for 389 series

SR44 (1pc), **938882**, 2pcs:**389-514**, **389-714** for initial operational checks (standard accessory)

### Optional accessories

- Connecting cables for **Series 389** (excluding **389-514** and **389-714**)  
1m: **05CZA662**  
2m: **05CZA663**
- USB Input Tool Direct**  
**USB-ITN-B** (2m): **06ADV380B**
- SPC cables for **U-WAVE**, **389 series** (excluding **389-514** and **389-714**)  
w/ data switch (160mm): **02AZD790B**  
For foot switch: **02AZE140B**
- Connecting cables for **389-514**, **389-714**
- Recommended cables: L-Type (does not interfere with operating the thimble.)  
1m: **04AZB512**  
2m: **05AZB513**
- Straight type (may interfere with operating the thimble.)  
1m: **959149**  
2m: **959150**



Refer to page A-21 for detailed information about recommended cables.